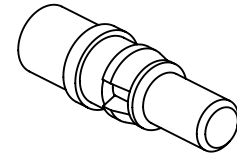
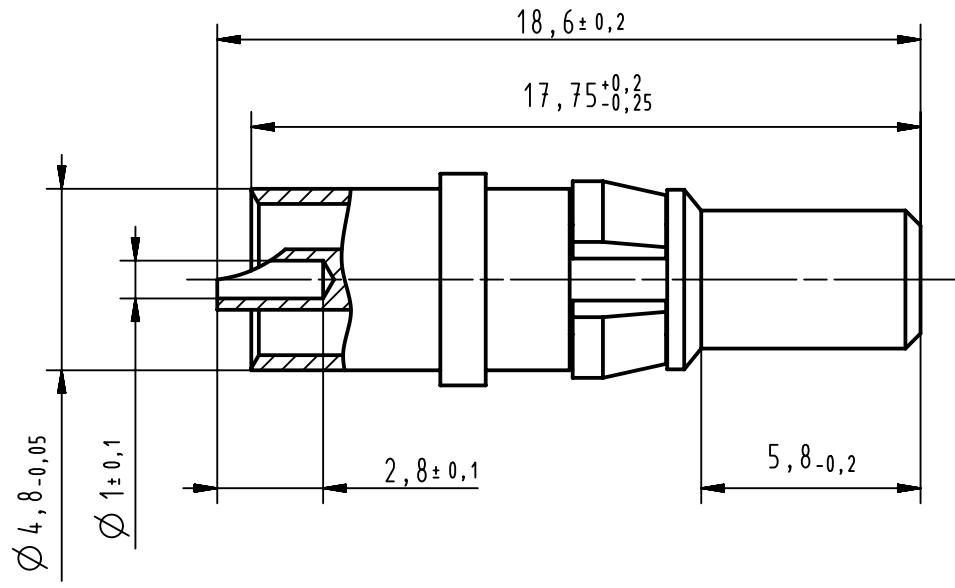


A

B

C

D



Isolierstoff weiß
insulator white

09 03 000 8240	min. 1,27µm Au over Ni
Bestell-Nr. part-no.	Kontaktfläche contact surface

	All rights reserved Department EC PD - DE	Created by HAGEMEYERE	Inspected by ELLERMANN	Standardisation HOFFMANN	Date 2013-04-02	State Final Release	
		Title DIN Signal type M fem 2,8kV-straight Au					Doc-Key / ECM-Nr. 100072462/UGD/005/A 500000060338
HARTING Electronics GmbH D-32339 Espelkamp		Type TB	Number 09030008240			Rev. A	Page 1/1